

MARQUEE® SLIDER WING PANEL INSTALLATION & SETUP GUIDE

1. Set Slider Wing Panel Address

Before installing the Slider Wing Panel, set its address ID using the DIP switches as shown in **Figure 1**.

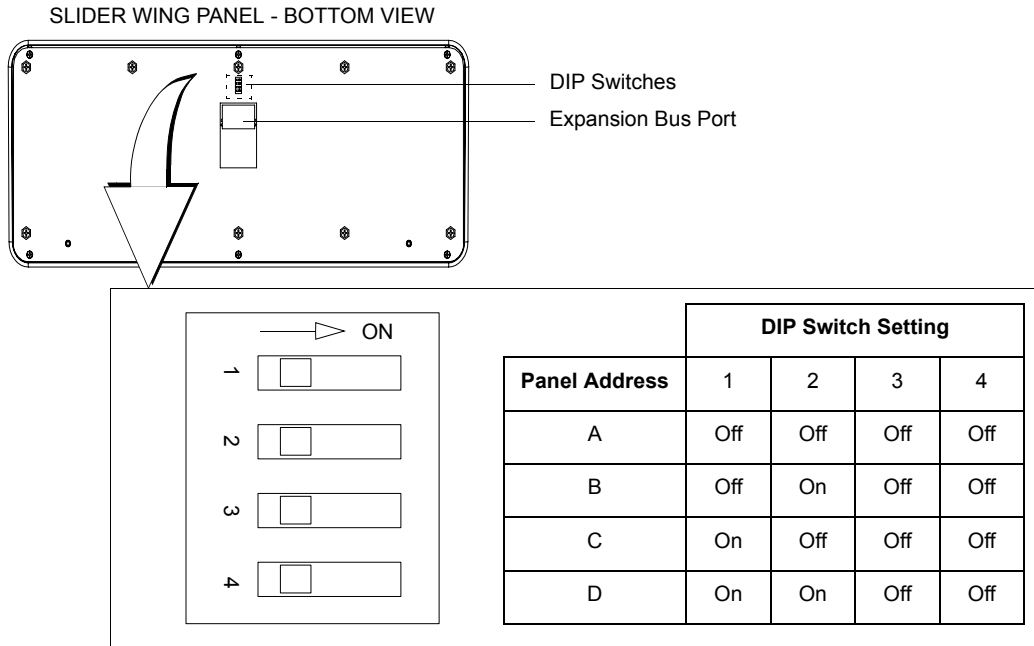


Figure 1: Setting Slider Wing Panel Address

2. Mount Slider Wing Panel on Console

The Slider Wing Panel may be mounted atop the console or placed nearby as desired. If mounting atop the console, do the following:

- Step 1. Install two (included) mounting brackets onto Slider Wing Panel as shown in **Figure 2**. (Brackets attach to wing panel by a single thumbscrew.)
- Step 2. At console, position Slider Wing Panel so that the holes on the back of the panel line up with the bracket screw holes on the console.
- Step 3. Attach Slider Wing Panel to console by tightening two bracket thumbscrews.

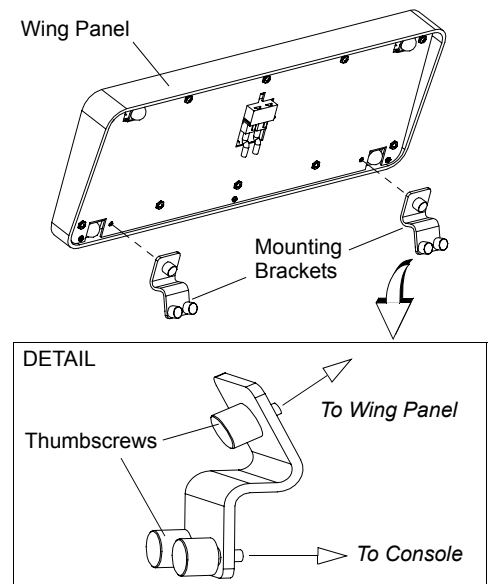


Figure 2: Installing Slider Wing Panel

3. Connect Slider Wing Panel To Console

Wing Panels can be connected in one of two ways, either directly to the console or linked together as shown in **Figure 3**. Using the supplied Marquee® Expansion Cable (CAT5e), do one of the following:

- Connect Slider Wing Panel to expansion bus port at rear of console.
- Connect Slider Wing Panel to expansion bus port of another wing panel.

Note: It does not matter which Marquee® expansion bus port is used to connect the wing panel.

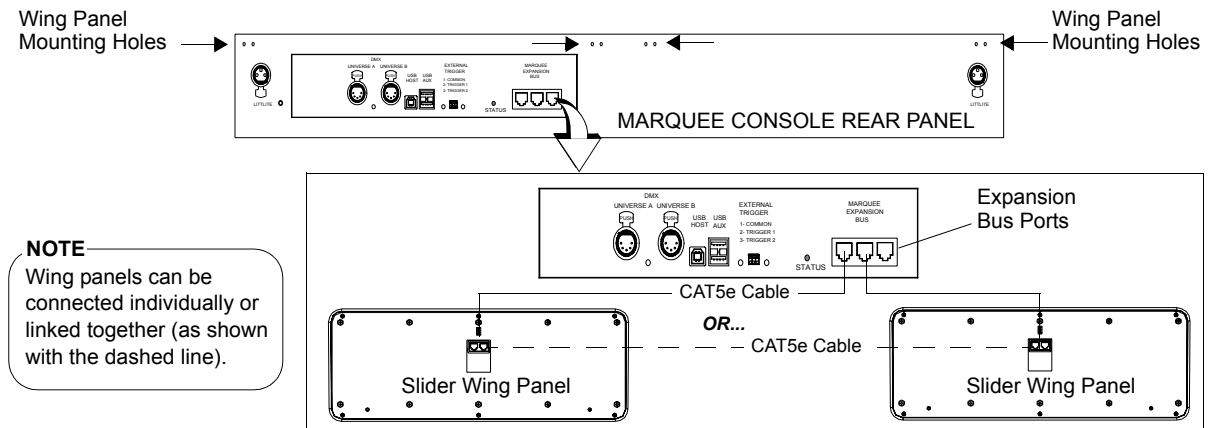


Figure 3: Connecting Slider Wing Panel(s) To Console

4. Marquee® Hardware Setup

Before you can actively use the Slider Wing Panel, you will need to access "Hardware Setup" [S3] and "Slider Panels" [S7] in the Marquee® Software to setup what the wing panel will control (i.e. sub, channel, or scene masters).

- Each bank of twenty-four (24) sliders can be setup to control different things as determined by the pull-down menus on the right-hand side of the **Hardware Setup** dialog box. If you select one of the default configurations from the **Configuration List** [S1], the pull-down menus on the right-hand side will be disabled, but will show you what is assigned to each bank. If you choose to customize the configuration, choose **Custom Configuration** from the bottom of the configuration list which will allow you to adjust the values in the pull-down menus on the right.
- Refer to "Sliders" in the Marquee® Software **Help Menu** window for Channel Master Mode, Scene Mode, and Look Master Mode setup details.

5. Customer Support

For hardware technical/customer support, please contact Entertainment Technology as follows:

1.800.223.9477

customerservice@genlytecontrols.com

For Horizon® software technical/customer support, please contact Horizon Control Inc. as follows:

1.412.422.3100

support@horizoncontrol.com

This product may be covered by one or more of the following U.S. Patents: #4,413,211; 4,430,576; 4,465,956; 4,733,138; 4,792,731; 4,880,950; 4,988,840; 4,992,709; 5,004,969; 5,004,969; 5,128,654; 5,153,816; 5,189,259; 5,194,858; 5,239,255; 5,239,255; 5,371,439; 5,371,444; 5,506,480; 5,636,111; 5,642,104; 5,646,490; 5,814,550; 5,821,704; 5,920,156; 5,930,126; Des. #307,578; 333,124; 435,203; 440,207; License #4482844; 5,004,969; 5,239,255; and corresponding foreign patents. Other Utility, Design and Foreign Patents Pending.

We reserve the right to change details of design, materials and finish in any way that will not alter the installed appearance or reduce function performance. Marquee® is a registered trademark of Genlyte Thomas Group LLC.

Entertainment Technology

A Genlyte Company
10911 Petal Street
Dallas, Texas 75238 USA

For technical/sales assistance, call:
1-800-223-9477 or **1-214-647-7880**

Made in USA © 2006 Genlyte Group LLC
www.etdimming.com P/N: 85-1450A