

# MARQUEE® BUTTON ARRAY WING PANEL INSTALLATION & SETUP GUIDE

## 1. Mount Button Array Wing Panel on Console

The Button Array Wing Panel may be mounted atop the console or placed nearby as desired. If mounting atop the console, do the following:

- Step 1. Install two (included) mounting brackets onto Button Array Wing Panel as shown in **Figure 1**. (Brackets attach to wing panel by a single thumbscrew.)
- Step 2. At console, position Button Array Wing Panel so that the holes on the back of the panel line up with the bracket screw holes on the console.
- Step 3. Attach Button Array Wing Panel to console by tightening two bracket thumbscrews.

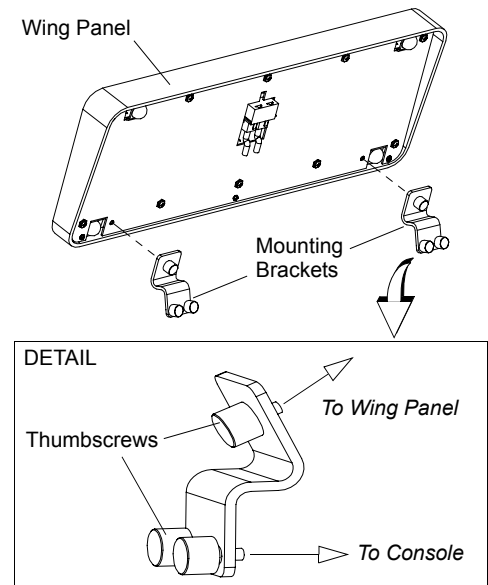


Figure 1: Installing Button Array Wing Panel

## 2. Connect Button Array Wing Panel To Console

Wing Panels can be connected in one of two ways, either directly to the console or linked together as shown in **Figure 2**. Using the supplied Marquee® Expansion Cable (CAT5e), do one of the following:

- Connect Button Array Wing Panel to expansion bus port at rear of console.
- Connect Button Array Wing Panel to expansion bus port of another wing panel.

**Note:** It does not matter which Marquee® expansion bus port is used to connect the wing panel.

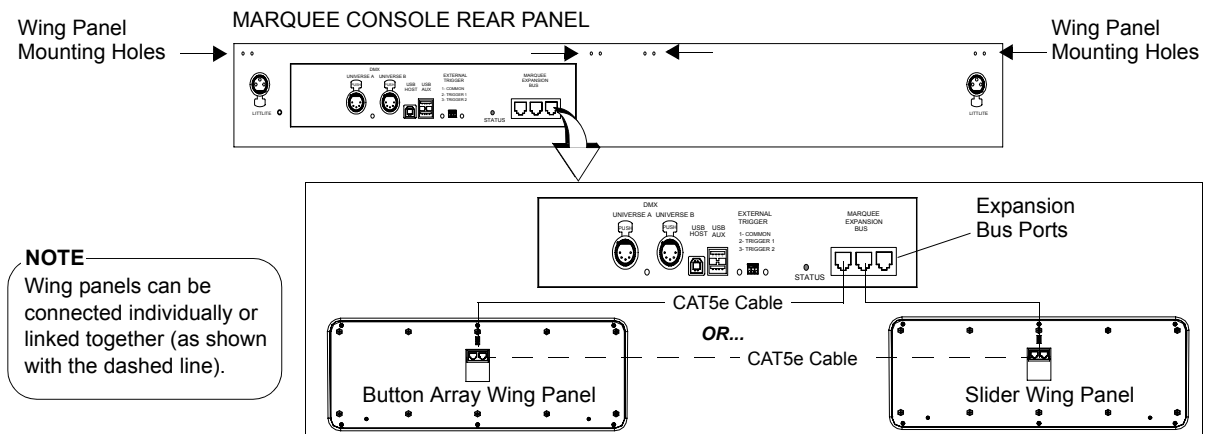


Figure 2: Connecting Button Array Wing Panel To Console

### 3. Marquee® Hardware Setup

Before you can actively use the Button Array Wing Panel, you will need to access "Hardware Setup" [S3] and "Button Array" [S10] in the Marquee® Software to setup what the Button Array Wing Panel will control (i.e. fixtures, attributes, or palettes).

- Here, you can determine what the buttons do when the Button Array Wing Panel is not in Fixture Select Mode. When the green **Fixture** LED is not on, the function of the four banks of twenty-five (25) buttons are determined by this dialog box. Each bank of twenty-five buttons (A through Y) can have a series of Look Pages assigned to them in a stack that are accessible using the **Up** and **Down** arrows above each bank.

Select the "Look Page" [S5] you wish to assign to one of the four banks (A-D) of twenty-five (25) buttons and "Add" [S6] the selected "Look Page" [S5] to the desired Bank (A-D [S1] - [S4]). Once a Look Page has been assigned to a particular bank, recorded information (presets, attributes, etc.) in those Look Pages may be recalled via the associated twenty-five buttons (presets, attributes, etc.).

- Refer to the "Button Array" or "Hardware Setup Button Array" and "Look Master Pages," in the Marquee® Software **Help Menu** window for button action setup details.

### 4. Customer Support

For hardware technical/customer support, please contact Entertainment Technology as follows:

**1.800.223.9477**

[customerservice@genlytecontrols.com](mailto:customerservice@genlytecontrols.com)

For Horizon® software technical/customer support, please contact Horizon Control Inc. as follows:

**1.412.422.3100**

[support@horizoncontrol.com](mailto:support@horizoncontrol.com)

This product may be covered by one or more of the following U.S. Patents: #4,413,211; 4,430,576; 4,465,956; 4,733,138; 4,792,731; 4,880,950; 4,988,840; 4,992,709; 5,004,969; 5,004,969; 5,128,654; 5,153,816; 5,189,259; 5,194,858; 5,239,255; 5,239,255; 5,371,439; 5,371,444; 5,506,480; 5,636,111; 5,642,104; 5,646,490; 5,814,550; 5,821,704; 5,920,156; 5,930,126; Des. #307,578; 333,124; 435,203; 440,207; License #4482844; 5,004,969; 5,239,255; and corresponding foreign patents. Other Utility, Design and Foreign Patents Pending.

We reserve the right to change details of design, materials and finish in any way that will not alter the installed appearance or reduce function performance.

Marquee® is a registered trademark of Genlyte Thomas Group LLC.

#### Entertainment Technology

A Genlyte Company  
10911 Petal Street  
Dallas, Texas 75238 USA

For technical/sales assistance, call:  
**1-800-223-9477** or **1-214-647-7880**

Made in USA © 2006 Genlyte Group LLC  
[www.etdimming.com](http://www.etdimming.com) P/N: 85-1528