

MARQUEE® ENCODER WING PANEL INSTALLATION & SETUP GUIDE

1. Mount Encoder Wing Panel on Console

The Encoder Wing Panel may be mounted atop the console or placed nearby as desired. If mounting atop the console, do the following:

- Step 1. Install two (included) mounting brackets onto Encoder Wing Panel as shown in **Figure 1**. (Brackets attach to wing panel by a single thumbscrew.)
- Step 2. At console, position Encoder Wing Panel so that the holes on the back of the panel line up with the bracket screw holes on the console.
- Step 3. Attach Encoder Wing Panel to console by tightening two bracket thumbscrews.

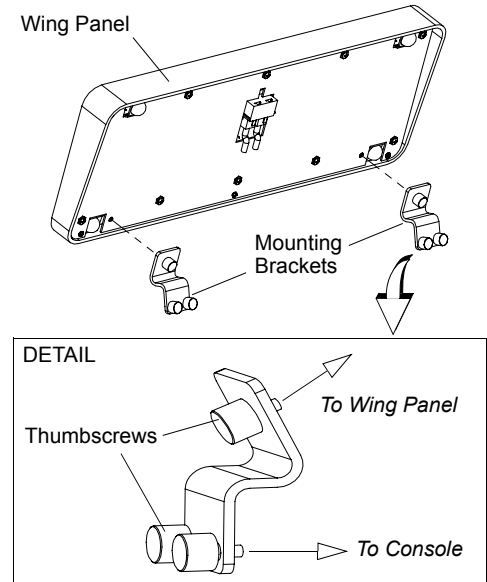
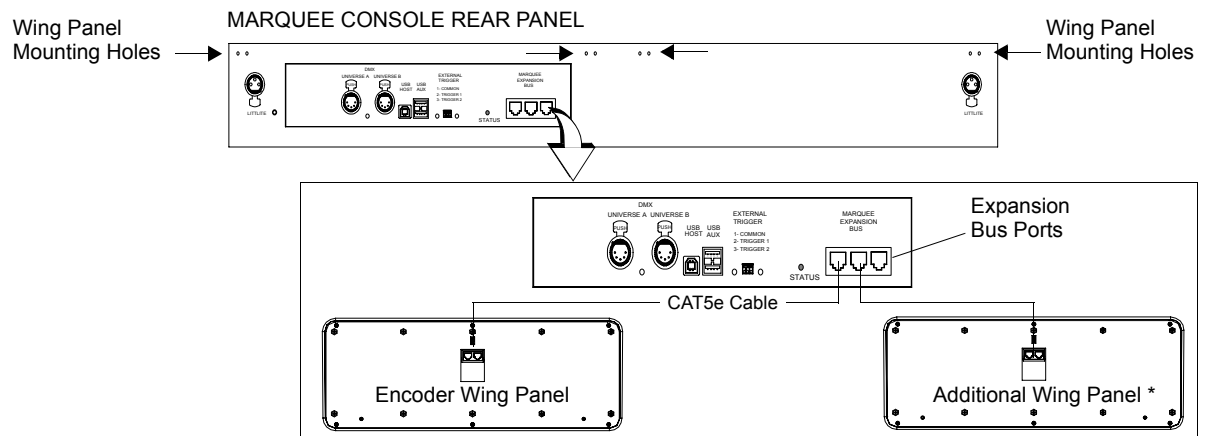


Figure 1: Installing Encoder Wing Panel

2. Connect Encoder Wing Panel To Console

The Encoder Wing Panel is connected directly to the console’s expansion bus port using the supplied Marquee® Expansion Cable (CAT5e).

Note: It does not matter which Marquee® expansion bus port is used to connect the wing panel.



* As required.

Figure 2: Connecting Encoder Wing Panel To Console

3. Setup

No further set-up is required. The Marquee® software automatically senses the panel and configures it to operate with the Marquee console.

4. Customer Support

For hardware technical/customer support, please contact Entertainment Technology as follows:

1.800.223.9477

customerservice@genlytecontrols.com

For Horizon® software technical/customer support, please contact Horizon Control Inc. as follows:

1.412.422.3100

support@horizoncontrol.com

This product may be covered by one or more of the following U.S. Patents: #4,413,211; 4,430,576; 4,465,956; 4,733,138; 4,792,731; 4,880,950; 4,988,840; 4,992,709; 5,004,969; 5,004,969; 5,128,654; 5,153,816; 5,189,259; 5,194,858; 5,239,255; 5,239,255; 5,371,439; 5,371,444; 5,506,480; 5,636,111; 5,642,104; 5,646,490; 5,814,550; 5,821,704; 5,920,156; 5,930,126; Des. #307,578; 333,124; 435,203; 440,207; License #4482844; 5,004,969; 5,239,255; and corresponding foreign patents. Other Utility, Design and Foreign Patents Pending.

We reserve the right to change details of design, materials and finish in any way that will not alter the installed appearance or reduce function performance.

Entertainment Technology

A Philips group brand
10911 Petal Street
Dallas, Texas 75238 USA



Technical/Sales assistance: **1-800-223-9477**

Made in USA © 2008 Philips Group.

www.etdimming.com P/N: 85-5590